

## SAPF LOW VOLUME FILLING MACHINE



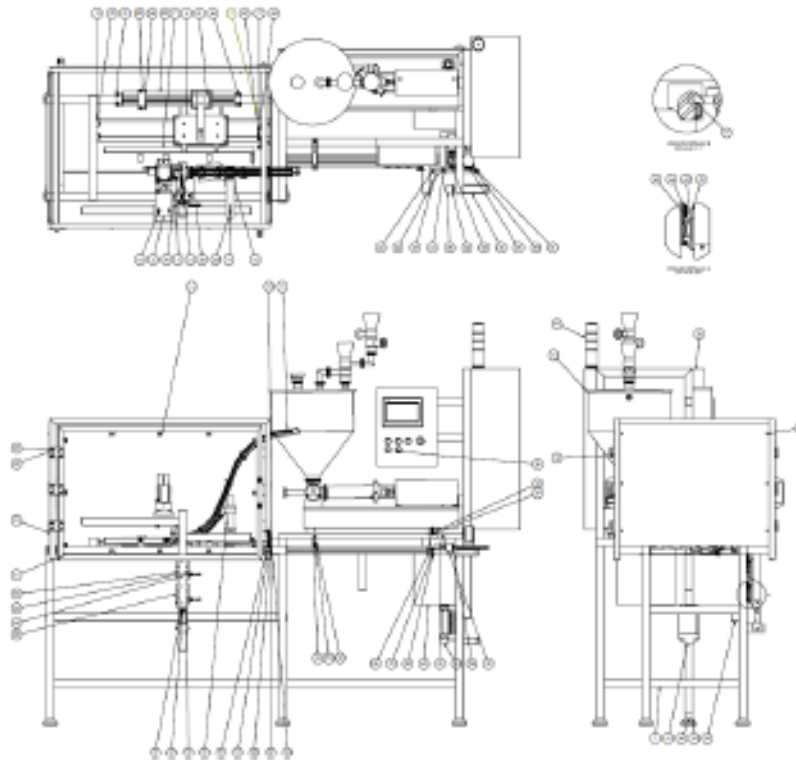
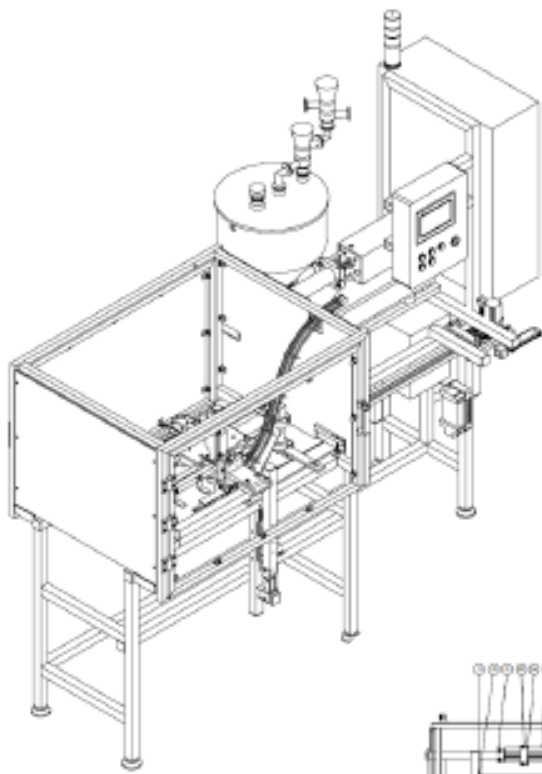
- Automatic loading of pouches on the filling line
- Printing of fill date, consumption limit date or any other information according to customer´s requirements (end-user supplied printer)
- Pouches filling according to the following cycle:
  - Pouch air suction (by vacuum)
  - Product filling considering the pouch capacity
  - Pouch filling with air or gas
- Screwing of caps and automatic closing
- Pouch unloading onto a conveyor belt (supplied by the end-user) for its exit from the machine
- The speed of the filling machine varies according to the size of the pouches and the type of product to fill. The maximum speed is 10 pieces/min for 100 ml pouches filled with water.

**All the elements that make up the filling machine are made of stainless steel, in compliance with the requirements for the food industries.**

## TECHNICAL DATA

Power supply		220 VAC 3phase/60 Hz
Absorbed power		188 watts
Pneumatic supply		6 a 10 bar.
Compressed air consumption		400 NI/min. Máx consump. Cleaning cycle time
Filling capacity		According to the size of the bags
Product feed pressure		1÷3 bar
Filling temperatures		-10°/90°C
Fill adjustment		By volumetric cylinder
Filling tolerance	Standard variant	± 1% of the volume contained in the pouch
Dimensions outside the operating range		Width 2.5 m. Length 4 m. High 2,6 m.
Weight		200kg net
Pouch production		5 min
Caps feeding		PE caps
Pouch exit		Through a downspout
Pouch dimensions (empty pouch)		Max. width. 92 mm Max. high. 197 mm (without spout)
Pouch capacity (ml)		70 a 500 ó 100 a 1000
Max. speed		10 pcs./min. (CheerPack filled with water 100 ml).
Product Feeding	Standard variant	Through tank with automatic level control and automatic dosing pump.
Level product control into the tank		By maximum level probes
Cycle and function control		PLC system control, optical sensors and proximity limit switch.
Fault diagnosis		By means of a diagnostic unit equipped with HMI screen.





# SAPF Machine

## SAPF MACHINE



The filling machine has been designed for the packaging of different types of food and non-food products:

- Isotonic products
- Fruit juices
- Tea
- Ice creams
- Honey
- Personal care products: liquid soap, shampoo
- Sauces, dressings, and condiments
- Pharmaceutical products
- And others (consult the manufacturer)